

SALES! SALES!

SPECIAL OFFER

WINTER SALE



Fra 1 Januar til 31 Marts 2022



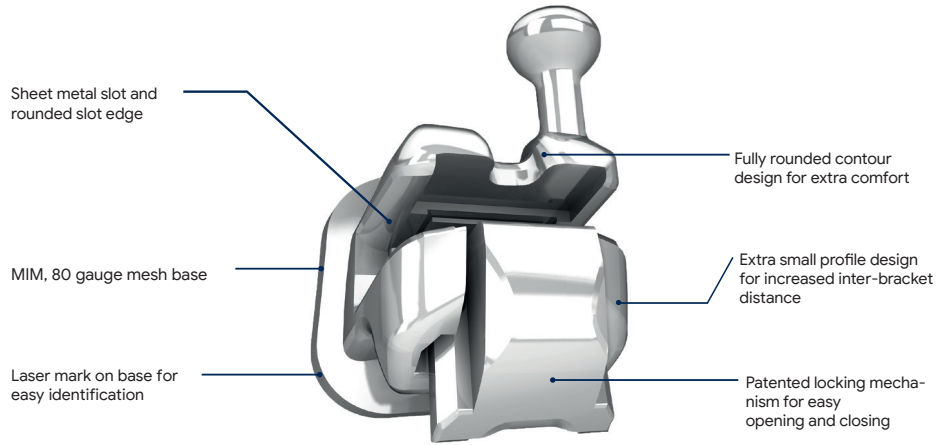
ortodonti service a/s

RMO®

ALTITUDE SL[®] M BRACKETS

Emphasizing more on inter-bracket distance, lower frictional resistance, and smoothness. We have created an extra small profile, rounded slot edge, and a fully rounded contour design.

20% RABAT
 KIT PRIS KR. 1.020,00
 KIT PRIS NU
KR. 816,00
 pris pr. brackets nu
 kr. 40,80



Roth Prescription

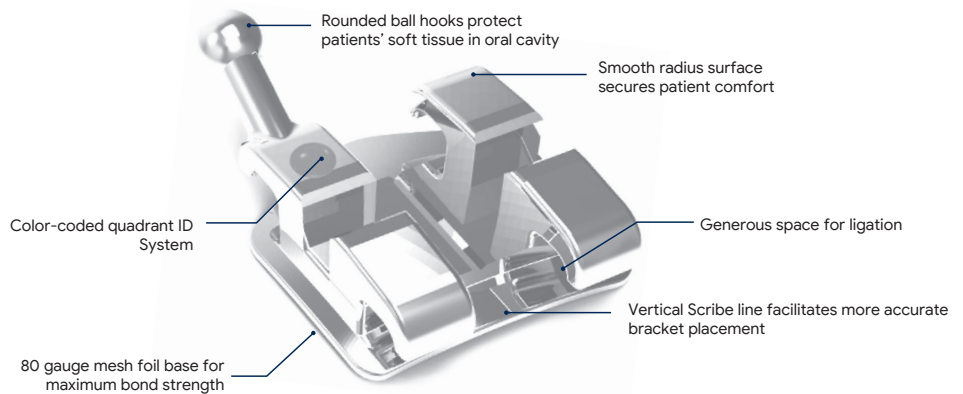
Kit with hook on cuspid/bicuspid, 5-5(20 brackets)

	.018	.022
	KM14302	KM14402

MINI TWIN BRACKETS

RMO's Mini Twin bracket is a low-profile design that has all the features of a larger bracket in a compact design

20% RABAT
 KIT PRIS KR. 175,00
 KIT PRIS NU
KR. 141,00
 pris pr. brackets nu
 kr. 7,00



Roth Prescription

Kit with hook on cuspid/bicuspid, 5-5(20 brackets)

	.018	.022
	KM13012	KM13112

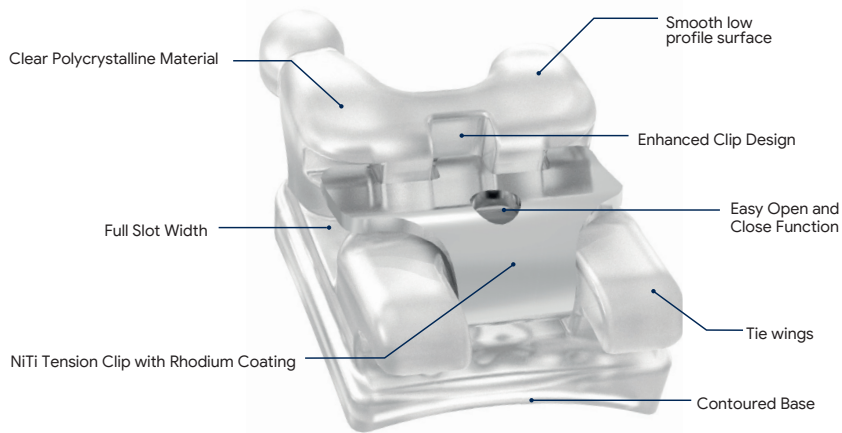
MBT Prescription

Kit with hook on cuspid/bicuspid, 5-5(20 brackets)

	.018	.022
	KM13302	KM13402

ALPINE® SL CLEAR

Alpine SL® Clear is the most advanced, transparent self-ligating system. The Nickel Titanium clip allows for easy open and close and requires no special tool to activate.



20% RABAT
 KIT PRIS KR. 1.142,00
 KIT PRIS NU
 KR. 914,00
 pris pr. brackets nu
 kr. 45,70

Roth Prescription

Kit 5-5 with hook on 3-4-5 (full ceramic bases)

.022

KQ12406

MBT Prescription

Kit 5-5 with hook on 3-4-5 (full ceramic bases)

.022

KQ12106

FLI® SIGNATURE CLEAR

FLI® Signature Clear Brackets offer natural aesthetic appeal to patients with the same reliable functionality preferred by doctors.

Ligation: Tie wings incorporate undercuts and downdraft for easy and secure ligation

Finish: Fully transparent for unmatched aesthetics

Reduced Friction: Smooth rounded flared archslot lead-ins for reduced friction

Finish: Smooth rounded surface for exceptional patient comfort

Base: Patented mushroom style base rails deliver superior mechanical bonding

Base: Contoured design provides optimum adaption to tooth surfaces

20% RABAT
 KIT PRIS KR. 1.415,00
 KIT PRIS NU
 KR. 1.132,00
 pris pr. brackets nu
 kr. 56,50

MBT Prescription

Kit with hook on cuspid/bicuspid, 5-5(20 brackets)

.018

.022

KQ07402

KQ07502

Roth Prescription

Kit with hook on cuspid/bicuspid, 5-5(20 brackets)

.018

.022

KQ07202

KQ07302

Bioprogressive Prescription

Kit with hook on cuspid/bicuspid, 5-5(20 brackets)

.018

KQ07602



- Natural appearance that will last until your next wire change
- Maintains expected wire properties and performance characteristics of the wire
- Coating on labial surface only

25% RABAT
 PRIS FRA KR. 330,00
 PRIS NU
 KR. 247,50

	Stainless Steel Natural (pack of 10)		Orthonol Natural (pack of 10)	
	Maxillary	Mandibular	Maxillary	Mandibular
ROUND				
.012			A07011-A	A07031-A
.014	A07201-A	A07221-A	A07000-A	A07020-A
.016	A07202-A	A07222-A	A07001-A	A07021-A
.018	A07203-A	A07223-A	A07002-A	A07022-A
SQUARED				
.016 x .016	A07205-A	A07225-A	A07004-A	A07024-A
RECTANGULAR				
.016 x .022	A07207-A	A07227-A	A07005-A	A07025-A
.017 x .025	A07208-A	A07228-A	A07006-A	A07026-A
.018 x .025	A07209-A	A07229-A	A07008-A	A07028-A
.019 x .025	A07210-A	A07230-A	A07009-A	A07029-A
.020 x .020	A07213-A	A07233-A	A07013-A	A07033-A



Orthonol® Superelastic Nickel-Titanium

- Nickel-titanium alloys are shape memory alloys
- Orthonol® is superelastic nickel-titanium in preformed natural arch shapes
- Provides an ideal continuous gentle force at a constant, uninterrupted force level for tooth movement
- Reduces chair time by extending time between visits
- Permanent midline etchmarks: Three lines for a maxillary arch, one line for a mandibular arch

25% RABAT
 PRIS FRA KR. 109,00
 PRIS NU
 KR. 81,75

	Natural (pack of 10)		Euroform (pack of 10)	
	Maxillary	Mandibular	Maxillary	Mandibular
ROUND				
.012	WON7011	WON7031	WOE7400	WOE7420
.013				
.014	WON7000	WON7020	WOE7401	WOE7421
.015				
.016	WON7001	WON7021	WOE7402	WOE7422
.018	WON7002	WON7022	WOE7403	WOE7423
.020			WOE7404	WOE7424
RECTANGULAR				
.016 x .022	WON7005	WON7025	WOE7407	WOE7427
.017 x .025	WON7006	WON7026	WOE7408	WOE7428
.019 x .025	WON7009	WON7029	WOE7410	WOE7430

Elgiloy® Preformed Arches

- Maxillary and mandibular arches are distinguished by permanent midline etchmarks: three lines for a maxillary arch, one line for a mandibular arch
- Elgiloy® arches are delivered unheat-treated, allowing complex bends and loops to be easily made. After bending, Elgiloy® arches can be heat-treated to increase their springiness

ELGILOY®

Elgiloy® Wire Round, 14" (35.56cm) Lengths

Size		Package Contains	Red (Resilient)	Green (Semi-resilient)	Yellow (Ductile)	Blue (Soft)
Inch	(mm)					
.028	(0.711)	10			E00206	E00228
.032	(0.813)	10			E00276	
.036	(0.914)	10			E00208	

Elgiloy® Wire Square (Square cornered), 14" (35.56cm) Lengths

.016 x .016	(0.406 x 0.406)	10			E00300	E00304
-------------	-----------------	----	--	--	--------	--------

Elgiloy® Wire Rectangular (Square cornered), 14" (35.56cm) Lengths

.016 x .022	(0.406 x 0.559)	10			E00302	E00306
-------------	-----------------	----	--	--	--------	--------



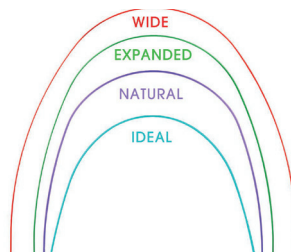
Preformed Wide-Arch Wires

New Preformed Wide-Arch Wires Available !!!

RMO has expanded his wire line to include preformed wide arches (Pitts® form - extra broad) in both Orthonol and Tru-Chrome (stainless steel).

NOTE: These arches are universal to both maxillary and the mandibular.

A07630	Orthonol Preformed Wide Arch .012
A07631	Orthonol Preformed Wide Arch .014
A07632	Orthonol Preformed Wide Arch .016
A07633	Orthonol Preformed Wide Arch .018
A07637	Orthonol Preformed Wide Arch .016 x .022
A07662	TRU-CHROME PREFORMED WIDE ARCH .016
A07663	TRU-CHROME PREFORMED WIDE ARCH .018
A07667	TRU-CHROME PREFORMED WIDE ARCH .016 X .022



GUMMETAL®

Nickel free βtitanium alloy made of Titanium (Ti), Niobium (Nb), Tantalum (Ta) and Zirconium (Zr). Gummetal® has a large elastic deformation range with good formability and a very low Young's Modulus (soft) with enough stiffness.

Because of Gummetal®'s excellent bend capabilities it substantively eliminates the necessity of wire changes after leveling. Because of Gummetal's ultra-low young's modulus the complicated wire bending is no longer necessary. Because of Gummetal's high flexibility and formability is advantageous to use with smaller inter-bracket distance such as in lingual technics.



Dr. Nelson J. Oppermann
D.D.S. - M.S.

GUMMETAL® alloy
on your daily practice

SAVE THE DATE !
17-18 Februar 2022 - Estonia
October 2022 - Germany

RM® Lock

RMO®'s new Flanged RM® Lock is a new archwire stop made from stainless steel. New features on the lock include a flange feature - designed for use with elastic and auxillary attachments -and a button head for improved patient comfort. The Flanged RM® Lock is identified as a more secure alternative to the crimpable hooks / stops.

As with other RM® Locks, the new lock is a stainless steel product designed with an offset screw to allow usage with all shapes and sizes of wire. The profile of the Flanged RM® Lock is no larger than RMO®'s small RM® Lock

20% RABAT
 PRIS KR. 788,00
 PRIS NU
 KR. 630,40



	Description
A00227	Rmlock large wo hook x5 - accepts wire 0.03" to 0.045"
A00226	Rmlock small wo hook x5 - accepts wire 0.012" to 0.018"
A00224	Rmlock small w/ hook x5 - accepts wire 0.012" to 0.018"
A00229 <<< NEW	Rmlock small w/ flange x5 - accepts wire 0.012" to 0.018"

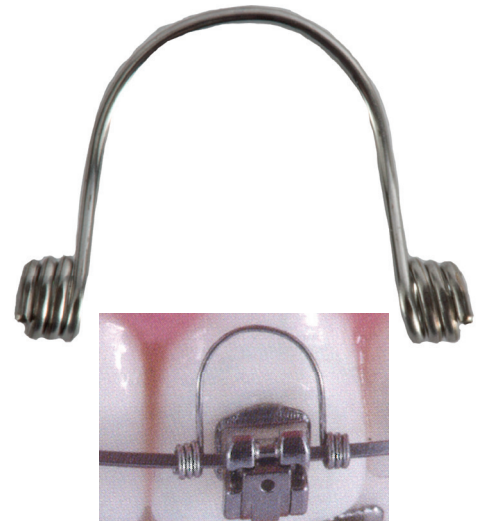
Warren Torquing Springs

Made with Heat-Treated Elgiloy, the torquing springs will continue to supply resilient force throughout treatment without risk of distortion or fatigue (compared to stainless steel springs). RMO®'s preformed arch activates the spring and allows for single point of contact with the tooth surface, providing continuous labial / lingual root torque on a single tooth, and is ideal for difficult upper incisors.

Application of the springs assist in aligning roots for faster finishing and the prevention of relapse. Also, its spring shape is designed to optimally fit a wide range of rectangular wires, providing better tooth control for optimum tooth movement.

20% RABAT
 PRIS KR. 545,00
 PRIS NU
 KR. 436,00

	Size (AxB)
A00465	.028 x .010
A00466	.016 x .022
A00467	.019 x .025
A00474	.018 x .025
A00475 <<< NEW ideal for damon users	.014 x .025
A00477 <<< NEW	.017 x .025



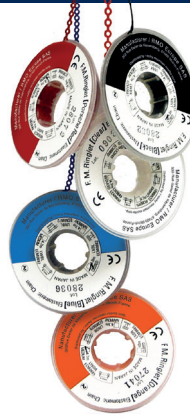
ENERGY CHAIN™

J. MORITA ORTHO



Outperforms all other elastic chains

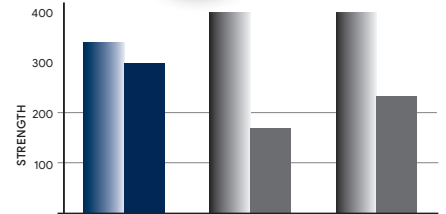
- Patented formula provides light continuous force for weeks
- Independently tested and clinically proven performance can reduce appointment intervals and save valuable chair time
- Less stress decay and less elongation over time compared to other elastic chains available
- Stain resistant and latex-free



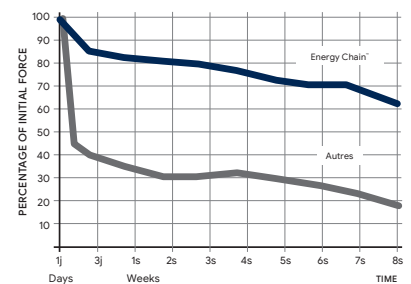
20% RABAT

PRIS KR. 649,00
PRIS NU
KR. 519,20

		NEW SIZE 2021				
	Closed	Adjoined	Reduced	Medium	Large	
Rings size	Small	Small	Small	Small	Large	
Space between rings	Closed	Attached	1 mm	1,2 mm	1,2 mm	
Space between centers	2,8 mm	3 mm	3,8 mm	4 mm	5,1 mm	
Spool length	4 m	4 m	4,70 m	4,70 m	4,70 m	
Color						
Clear		ECM0693	ECM0600	ECM0650	ECM0691	ECM0692
Gray		ECM0698	ECM0610	ECM0660	ECM0696	ECM0697
Purple		ECM0664	ECM0604	ECM0654	ECM0674	ECM0684
Porsche Red		ECM0666	ECM0606	ECM0656	ECM0676	ECM0686
Black		ECM0667	ECM0607	ECM0657	ECM0677	ECM0687
Teal		ECM0624	ECM0612	ECM0625	ECM0626	ECM0627



ENERGY CHAIN™
 Gradient - Initial Force (in grams)
 Solid - Remaining Force at 5 weeks (in grams)



ENERGYPAK™

- Superior quality, pure latex
- Excellent resistance to fluid absorption
- Outer box labels include images convenience for easy identification.
- Packaged in illustrated zip-lock bags for dispensing.
- 100 elastics per bag; 50 bags per box

20% RABAT

PRIS KR. 429,00
PRIS NU
KR. 343,20

		0.32cm	0.48cm	0.64cm	0.79cm	0.95cm
	Force Values	General Purpose				
Light	57gm (2oz.)	 parachute J-01100	 hang glider J-01101	 balloon J-01102	 dirigible J-01103	 helicopter J-01104
Medium	85gm (3oz.)		 motor home J-01111	 truck J-01112	 train J-01113	 monorail J-01114
Heavy	99gm (3.5oz.)	 surfboard J-01120	 canoe J-01121	 sailboat J-01122	 speedboat J-01123	 submarine J-01124
Heavy Plus	128gm (4.5oz.)		 motorcycle J-01131	 racecar J-01132	 car J-01133	 snowmobile J-01134
Extra Heavy	142gm (5oz.)	 jumprope J-01140	 skateboard J-01141	 unicycle J-01142	 bicycle J-01143	 jogging J-01144



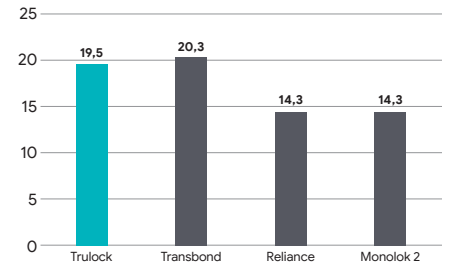


TRULOCK™ Light Activated Adhesive

Single paste resin-based, fluoride containing bracket adhesive that requires no mixing, resulting in reduced waste, improved performance consistency and no working time constraints.

- **No mixing, no waste**
- **Low-viscosity paste reducing likelihood of runoff**
- Application: Bonds metal, ceramic and plastic/composite materials to enamel
- Shelf Life: 30 months from manufacture date
- Curing: Minimum output 600 mW/cm² and wavelength 400-500 nanometers

SHEAR BOND STRENGTH TESTING (Mpa)



TRULOCK™ Light Cure Band Adhesive

Single paste resin-based, fluoride containing band adhesive that requires no mixing, resulting in reduced waste, improved performance consistency and no working time constraints.

- Application: TruLock® LC Band Adhesive is a single-paste, resin-based, light-cured, fluoride-releasing paste used for cementation of orthodontic appliances to teeth
- **Appearance: Blue, opaque paste with medium viscosity**
- Shelf Life: 30 months at 25° C and 60% humidity
- Curing: Light Cured by using a standard curing light (600 mW/cm² minimum output) for 20 seconds.
FlashMax P4 cure time 1-3 seconds

Description

Light Cure Band Adhesive, 5g Syringe

Light Cure Band Adhesive, 4 x 5g Syringe

Light Activated Mini Kit - 5g Syringe, 3ml Bonding Resin, 3ml Etchant Liquid, Brushes, Spatula, Mixing Pad

Light Activated Mini Kit - 5g Syringe, 3ml Bonding Resin, Brushes, Spatula, Mixing Pad, [NO ETCHANT]

Order Number

J04003

J04005

K00072

K00073

PLIERS

Our instrument range is known and recognized by the profession for its manufacturing quality, its precision in usage and its high resistance to weariness and corrosion.

